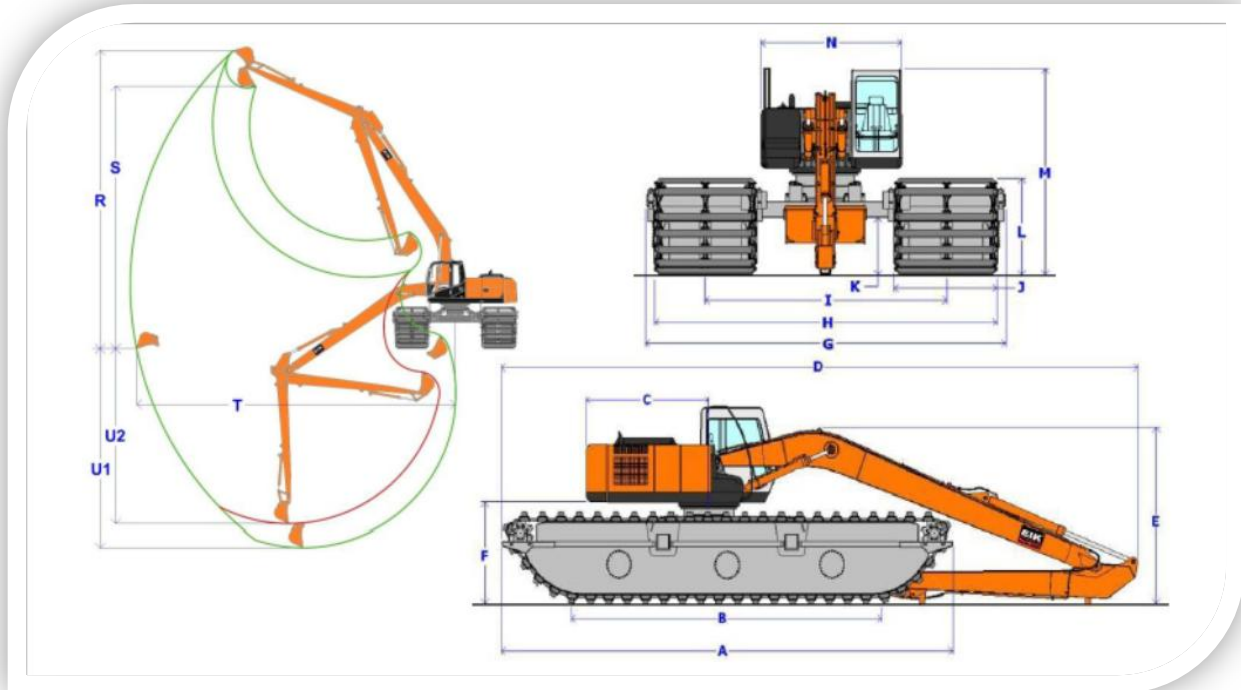




**AMPHIBIOUS EXCAVATOR
CATERPILLAR 320DL / AM-200**



Specifications

Dim. (m)	Description	AM200 For 320DL Caterpillar Excavator
A	Max. Track Length	9.5
B	Track Length on Ground	4.30
C	Rear Upper Structure Length	2.68
D	Overall Length	13.12
E	Height of Boom	3.23
F	Counterweight Clearance	2.21
G	Overall Width, min/max (outwardly extendable)	5.29/6.09
H	Undercarriage Width, min/max	5.00/5.80
I	Track Gauge, min/max	3.38/4.18
J	Track Cleat Width	1.62
K	Min. Ground Clearance	1.29
L	Track Height	2.05
M	Overall Cab Height	4.14
N	Upper Structure Overall Width	2.71
U1	Approx Max. Cutting Height (Depending on Bucket size)	8.6
U2	Approx Max. Loading Height (Depending on Bucket size)	7.6
-	Reach Boom	5.7
-	Stick	2.9



CIVIL & MARINE INFRASTRUCTURE SPECIALISTS